

CEL-FI™ QUATRA RED

Fiber Range Extender

ERCES Solution

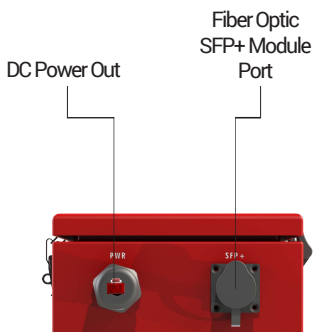
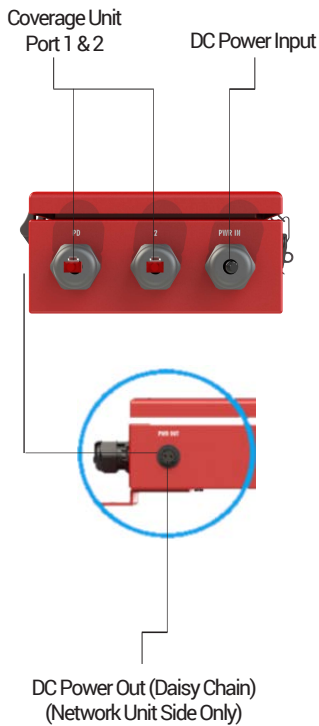
Ideal for campuses, multi-building facilities, and high-rises, the Cel-Fi QUATRA RED Fiber Range Extenders (FRE) increase the distance between the Network Unit (NU) and Coverage Unit (CU) up to 1.4 kilometers in Cel-Fi QUATRA RED ERCES Public Safety DAS systems. In addition to supporting copper cable to power up CUs remotely, the FREs work in pairs—one NU side and one CU side—with each pair supporting up to two CUs (see system architecture diagram below). The FREs are sold separately.



Cel-Fi QUATRA RED
Fiber Range Extender System

Features:

- Extends NU to CU cable length up to 2 km
- Versatility allows to be use on different QUATRA RED system architectures
- Hybrid cable (FO + Copper) compatible



POWER-FIBER ONLY MODE		
NU Side	Input port	RJ-45, PoE supply from NU
CU Side	Input port (VDC)(Min/Max)	44 / 55
	Output port (VDC)(Min/Max)	

POWER-HYBRID COPPER/FIBER MODE		
NU Side	Input port	44 / 55
	Output port	
CU Side	Input port (VDC)(Min/Max)	44 / 55
	Output port (VDC)(Min/Max)	

LEDS		
Status	RED ON at power up	=> System is starting
	Flashing GREEN @ 1s period	=> Establishing communication
	GREEN ON	=> Fiber link is established
RJ45 LEDs (per port)	LEDs are off	There is no connection
	YELLOW ON	Cable is connected
	YELLOW and GREEN ON	Data transmission OK

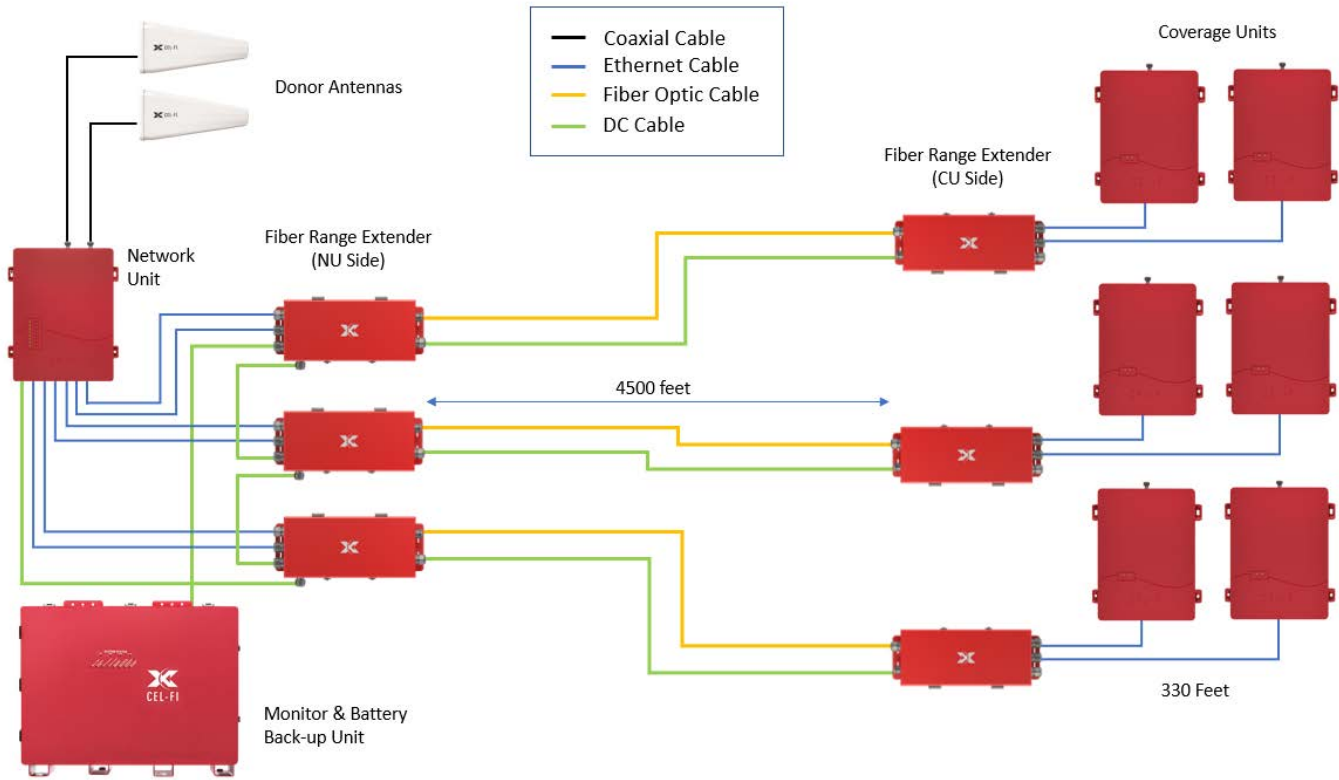
CONNECTIVITY	
RJ45	2x
Optical (SFP+ module)	10 Gb/s minimum
	WIRELESS CPRI COMPLIANT (Recommended)
	SMF or MMF

ENVIRONMENTAL	
Ambient operating temperature (°C)	0 to 50
Relative humidity, Non-condensing	0 to 95
Product Ingress Protection (IP) ratings	NEMA 4

REGULATORY	
FCC	Part 15B, (Class A)
UL	2524

MECHANICAL DIMENSIONS	

SYSTEM ARCHITECTURE



Copyright © 2021 by Nextivity, Inc, U.S. All rights reserved. The Nextivity and Cel-Fi logos are registered trademarks of Nextivity Inc. All other trademarks or registered trademarks listed belong to their respective owners. Designed by Nextivity in California. data_quatra-fiber-range-ext_eng_21-0712