

PATCH ANTENNA

Omnidirectional Coverage Antenna

MODEL NUMBERS: A41-NL3-100

The Patch Antenna is a wideband, omnidirectional server antenna for CEL-FI cellular network deployments. Supporting frequency of operation for 5G, 4G, 3G, and 2G networking technologies, the antenna provides improved efficiency and gain. The antenna features a short, flexible pigtail cable that enables ease of installation and versatility without risking a tight bend radius. This antenna is ideal for CEL-FI GO G51 applications and is included in the box for specific kits. The antenna can also be used with the CEL-FI GO G41.

Features and benefits include:

- Designed for wideband operation from 617-4000 MHz
- Standard SMA Male RF interface with short cable for interface
- Adhesive mounting for ease of install
- Flexibility to pair with desired Coaxial Cable type and length with GO G51 based on installation location
- Ground plane independent



A41-NL3-100

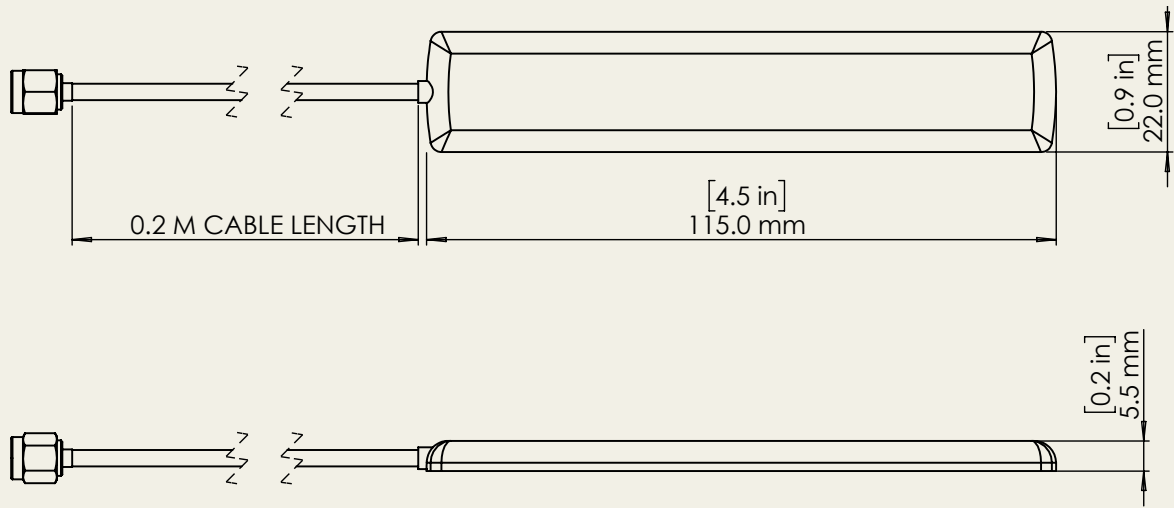
Electrical Specifications

| | |
|----------------------------|-----------------|
| Frequency (MHz) | 617-4000 |
| Return Loss (dB Typ.) | -7 |
| Peak Gain (dBi Typ.) | 3 |
| Avg. Gain (dB Typ.) | -2 |
| Impedance (Ω Nom.) | 50 |
| Polarization | Linear/Vertical |
| Radiation Pattern | Omni |
| Input Power (W Max.) | 50 |
| Connector | SMA Male |

Mechanical Specifications

| | |
|---|--------------------------------------|
| Housing Material | PC/ABS UV Stable |
| Housing & Cable Jacket | White |
| Cable Length (m) | 0.2 |
| Mounting | Adhesive Mount |
| Operating Temperature ($^{\circ}$ F ($^{\circ}$ C)) | -40 to 158 (-40 to 70) |
| Storage Temperature ($^{\circ}$ F ($^{\circ}$ C)) | -40 to 185 (-40 to 85) |
| Ingress Protection | Indoor Only |
| RoHS | Compliant |
| REACH | Compliant |
| Dimensions (in (mm)) | 4.5 x 0.9 x 0.2 (115.0 x 22.0 x 5.5) |

Mechanical Dimensions



Product specifications are subject to change without prior notification.